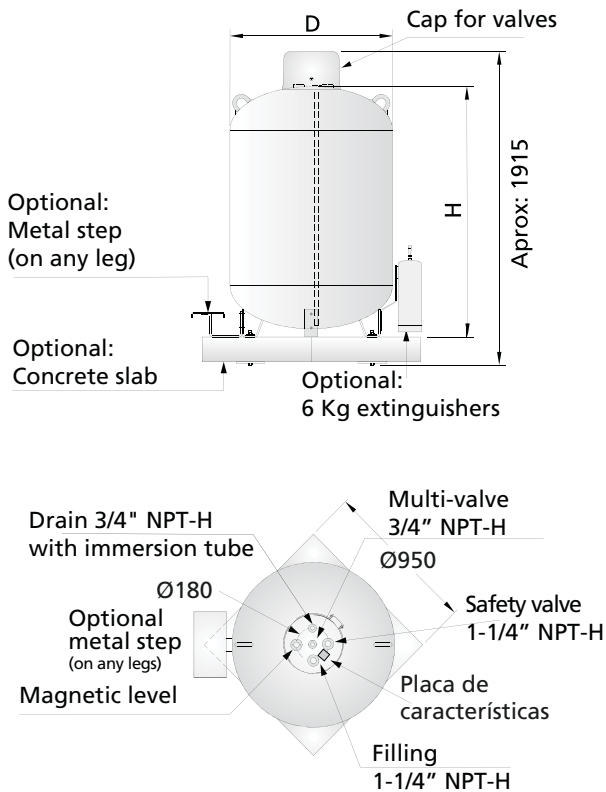


LP1000AV

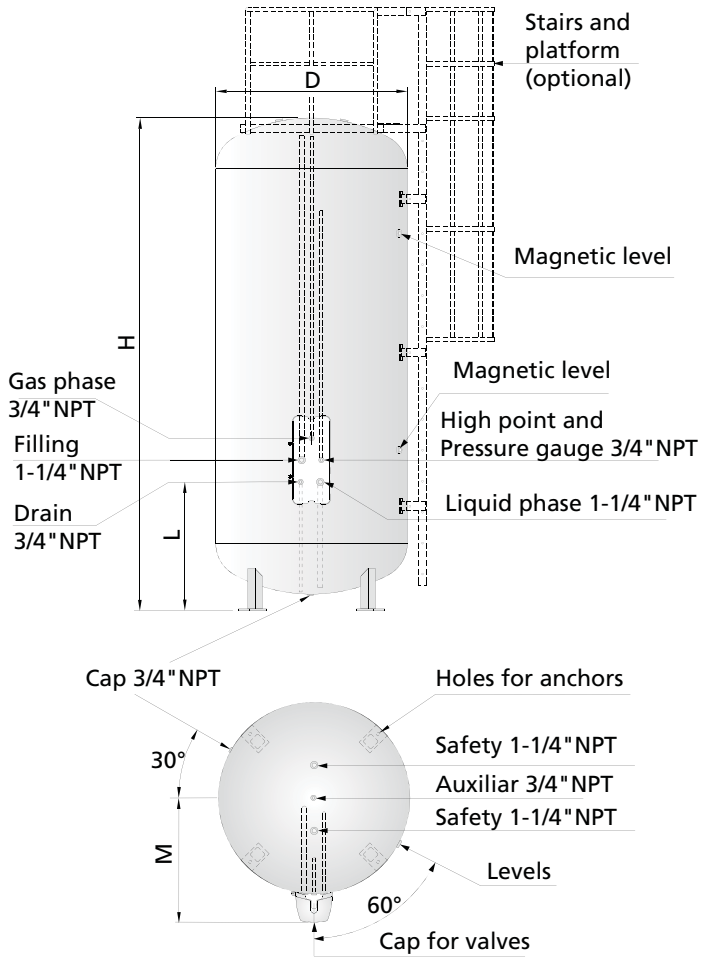
There is also a transportable version (cylinder) of this model (please consult)



EXTERNAL PROTECTION:

- Shot-blasting to SA 2-1/2
- Anti-corrosion primer
- Polyurethane finish

LP2450V...LP50V



Drawing corresponding to the LP8400AV-17 model (8400L)

Suitable for places with restricted space. The drawing is indicative. The layout and size of outlets may vary according to the model, please consult.

CHARACTERISTICS TABLE

Model Ref.	Rated capacity (litres)	Approx. empty weight (Kg)	(1) Stored propane (Kg)	Total area (m ²)	Minimum discharge of safety valve (m ³ /min. air)	Dimensions (mm)			
						D	H	L	M
LP1000AV	990	270	415	5,2	41,2	1.000	1.520	-	-
LP2450AV	2.450	590	1.029	10,1	71,0	1.200	2.560	1.120	855
LP5000AV-17	4.990	1.600	2.099	15,2	99,3	1.750	2.640	980	1.135
LP8400AV-17	8.400	2.000	3.528	23,2	140,4	1.750	4.070	980	1.135
LP13AV-17	13.000	3.250	5.460	34,0	192,0	1.750	6.010	980	1.135
LP20AV	19.900	4.550	8.358	50,0	263,5	1.750	9.260	(1)	-
LP32AV	31.800	7.800	13.356	59,9	305,5	2.450	7.820	(1)	-
LP50AV	50.000	11.525	21.000	90,4	428,2	2.450	11.780	(1)	-

(1) Propane stored in kg, considering a degree of filling of 85% of the tank and a LPG density of 0.5 kg/l.