

# ATMOSPHERIC TANKS

Above ground tanks for **SMALL REQUIREMENTS** and **AUTONOMOUS UNITS** **lapesa**

## LFT\*\*\* and LFDUA\*\*\* Models

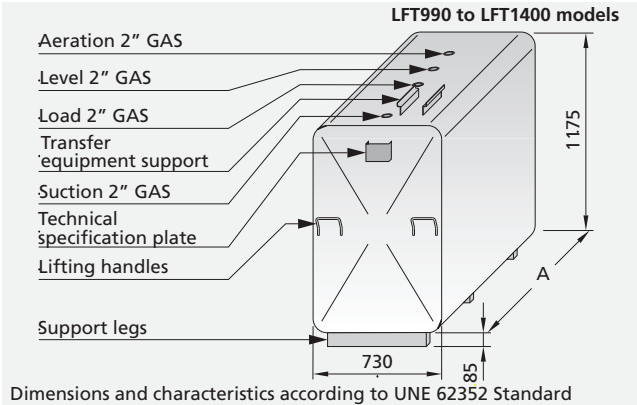
**LFT Models;** Tanks specially designed to connect transfer equipment in installations for own consumption.

- Tanks built in steel plate according to EN 10025 Standard.

SURFACE FINISHES: -Exterior

- Primer coat.
- White polyurethane finish.

### LFT Models - Parallelepipedic



### Characteristics table

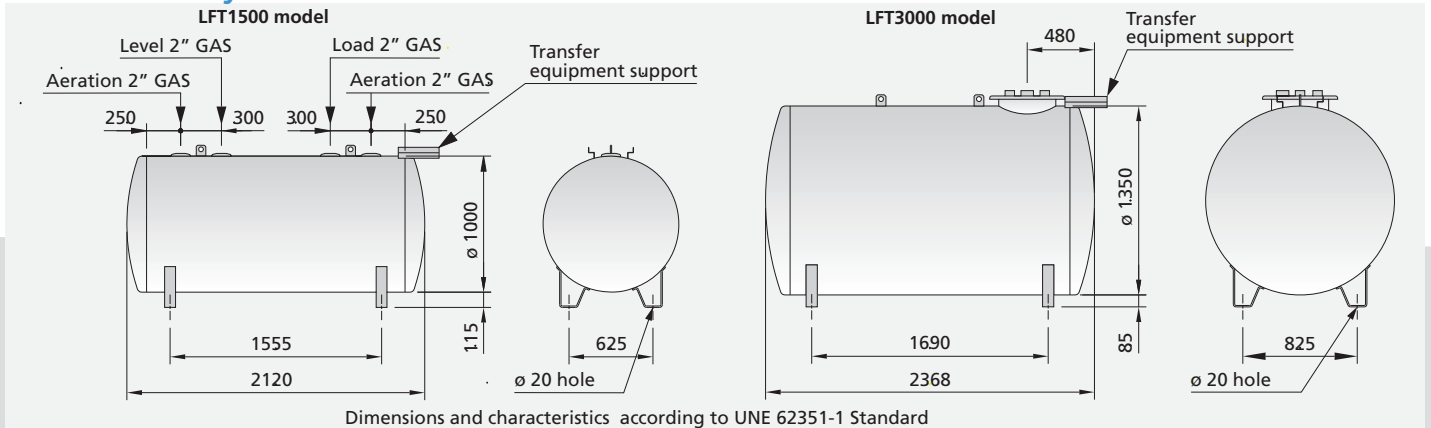
#### Parallelepipedic models

Rated capacity (litres)	Model Ref.	Approximate empty weight (Kg)	Dimensions (mm.)		Thickness (mm.)	
			A	Collar	End	End
990	LFT 990	120	1250	2	2	2
1200	LFT 1200	135	1500	2	2	2
1400	LFT 1400	150	1700	2	2	2

#### Cylindrical models

Rated capacity (litres)	Model Ref.	Approximate empty weight (Kg)	Thickness (mm.)	
			Collar	End
1500	LFT 1500	190	2,5	3
3000	LFT 3000	360	3	3,5

### LFT Models - Cylindrical



### LFDUA Models; Double wall steel tanks with protection structure and service equipment for diesel oil.

- Exterior steel tank according to page 3.
- Dimensions and characteristics according to UNE 62350-2 Standard (Larger than 3,000 l. And UNE 62351-2 (up to 3,000 l))
- Volumes: from 3,000 up to 15,000 l (model in the illustration: 3000 l)

SURFACE FINISHES: -Exterior.

- Primer coat.
- White polyurethane finish. (protection structure in red)

