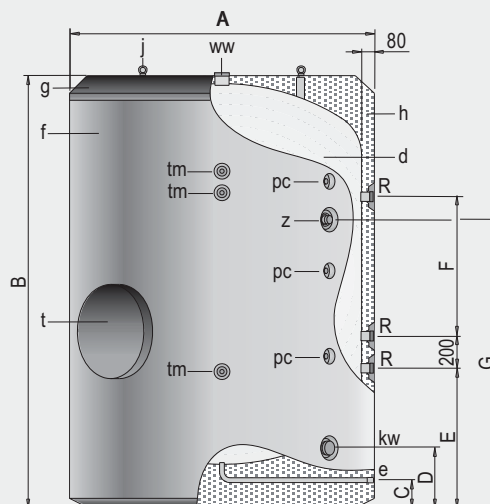


## For DHW storage with DN400 manhole



- d - DHW storage tank
- f - External lining (optional)
- g - Top cover (optional)
- h - Thermal insulation
- j - Removable eyebolt for transport
- t - DN400 inspection port

### Description

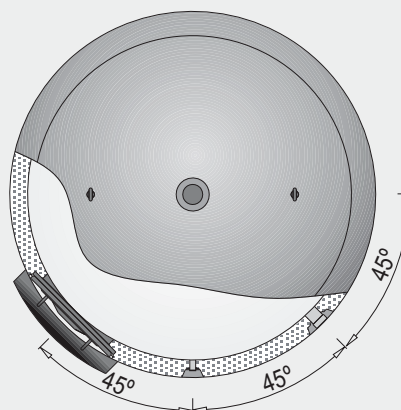
Large capacity tanks for storage of domestic hot water. Made in stainless steel chemically pickled and passivated after assembly, with capacities ranging from 1,500 to 5,000 litres.

Thermally insulated with rigid, mould-injected, 45 Kg/m<sup>3</sup> density CFC-free polyurethane foam.

Tanks prepared for an easy manipulation and transport, without the need of a wooden pallet.

All of the models include connections to fit electric heating elements as the main DHW production system or as a backup heating system.

As an option they can be fitted with the "Lapesa Correx-up INOX" permanent cathodic protection system that is specifically for stainless steel tanks, in those cases in which the water is particularly aggressive or with chloride content higher than 150 mg/l.



Technical characteristics / Connections / Dimensions		MXV1500RB	MXV2000RB	MXV2500RB	MXV3000RB	MXV3500RB	MXV4000RB	MXV5000RB
DHW capacity	l.	1500	2000	2500	3000	3500	4000	5000
Maximum temperature in continuous operation of DHW tank	°C	90	90	90	90	90	90	90
Maximum pressure of DHW tank (*)	bar	8	8	8	8	8	8	8
Approx. empty weight	kg	275	315	450	485	530	595	665
kw: cold water inlet	"GAS/M	2	2	3	3	3	3	3
e: drain	"GAS/M	1	1	1	1	1	1	1
ww: hot water outlet	"GAS/M	2	2	3	3	3	3	3
z: recirculation	"GAS/M	1-1/2	1-1/2	1-1/2	1-1/2	1-1/2	1-1/2	1-1/2
R: electric heating element connection	"GAS/M	2	2	2	2	2	2	2
tm: side sensors connection	"GAS/F	1/2	1/2	1/2	1/2	1/2	1/2	1/2
pc: cathodic protection connection	"GAS/F	3/4	3/4	3/4	3/4	3/4	3/4	3/4
number of cathodic protection connections	units	2	2	2	3	3	3	3
Dimension A: external diameter	mm	1360	1360	1660	1660	1660	1910	1910
Dimension B: total length	mm	1830	2280	2015	2305	2580	2310	2710
Dimension C:	mm	175	175	175	175	175	175	175
Dimension D:	mm	315	315	350	350	350	375	375
Dimension E:	mm	685	685	805	805	805	875	875
Dimension F:	mm	330	780	300	590	875	465	870
Dimension G:	mm	1115	1560	1250	1530	1745	1450	1805

(\*) For other pressures, please consult us.