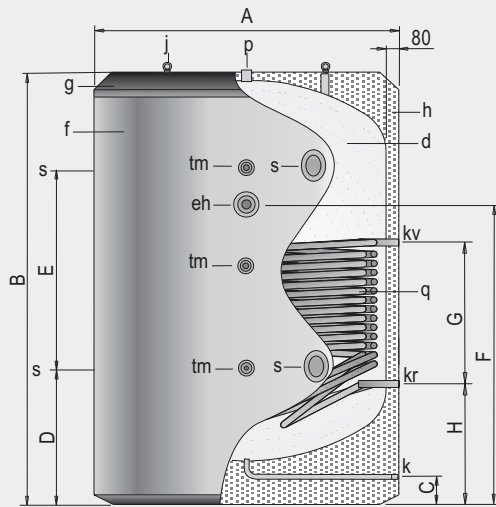
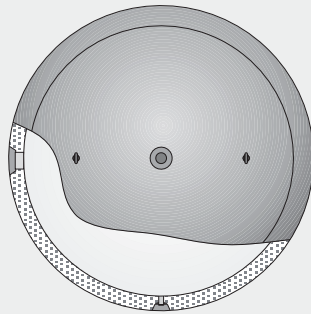


Thermal inertia tanks with coil for storage in primary circuits



- d - Storage tank
- f - External lining (optional)
- g - Top cover (optional)
- h - Thermal insulation
- j - Removable eyebolt for transport
- q - Coil



Description

Tanks for closed circuit installation without water renovation with large storage capacities, for solar or geothermal energy as well as for cooling circuits. Made in carbon steel S235JR (1.0037 according to EN 10027-2) with capacities of 1,500 to 5,000 litres.

Thermally insulated with rigid, mould-injected, 45 Kg/m³ density CFC-free polyurethane foam.

Tanks prepared for an easy manipulation and transport, without the need of a wooden pallet.

Technical characteristics / Connections / Dimensions		MV1500IS	MV2000IS	MV2500IS	MV3000IS	MV3500IS	MV4000IS	MV5000IS
Buffer tank capacity	l	1500	2000	2500	3000	3500	4000	5000
Max. working temperature in buffer tank	°C	100	100	100	100	100	100	100
Max. working pressure in buffer tank	bar	6	6	6	6	6	6	6
Coils capacity	l	24.5	24.5	45.6	45.6	48.8	48.8	48.8
Heat exchange surface	m ²	3.1	3.1	5.7	5.7	6.1	6.1	6.1
Weight aprox.	Kg	350	390	579	616	655	966	1043
p: Upper connection	"GAZ/F	2	2	2	2	2	2	2
s: Side connection	"GAZ/F	4	4	4	4	4	4	4
k: Lower connection	"GAZ/F	1-1/4	1-1/4	1-1/4	1-1/4	1-1/4	1-1/4	1-1/4
eh: Side connection	"GAZ/F	2	2	2	2	2	2	2
tm: Side sensor connection	"GAZ/F	1/2	1/2	1/2	1/2	1/2	1/2	1/2
kv, kr: Coil connection	"GAZ/F	1	1	1	1	1	1	1
Dimension A: External diameter	mm	1360	1360	1660	1660	1660	1910	1910
Dimension B: Overall height	mm	1830	2280	2015	2305	2580	2310	2710
Dimension C:	mm	155	155	175	175	175	175	175
Dimension D:	mm	720	720	835	835	835	900	900
Dimension E:	mm	610	1080	590	880	1185	755	1155
Dimension F:	mm	1237	1537	1359	1552	1732	1543	1809
Dimension G:	mm	710	710	780	780	830	830	830
Dimension H:	mm	659	659	731	796	796	850	850