

STATIC TANKS FOR L.P.G.

SPECIAL TANKS LESS THAN 20 m³ 2,200 mm and 2,450 mm diameters



A group of officially approved tanks that do not form part of the normal production programme but that can resolve special needs in terms of size or capacity are listed as a guide for customers.

The models with a capacity of less than 20 m³ can be installed above or underground as the only difference is the colour of their finish and if they have an inspection chamber or cover. Models with a capacity greater than 20 m³ have a different design depending on whether they are for installation above or underground.

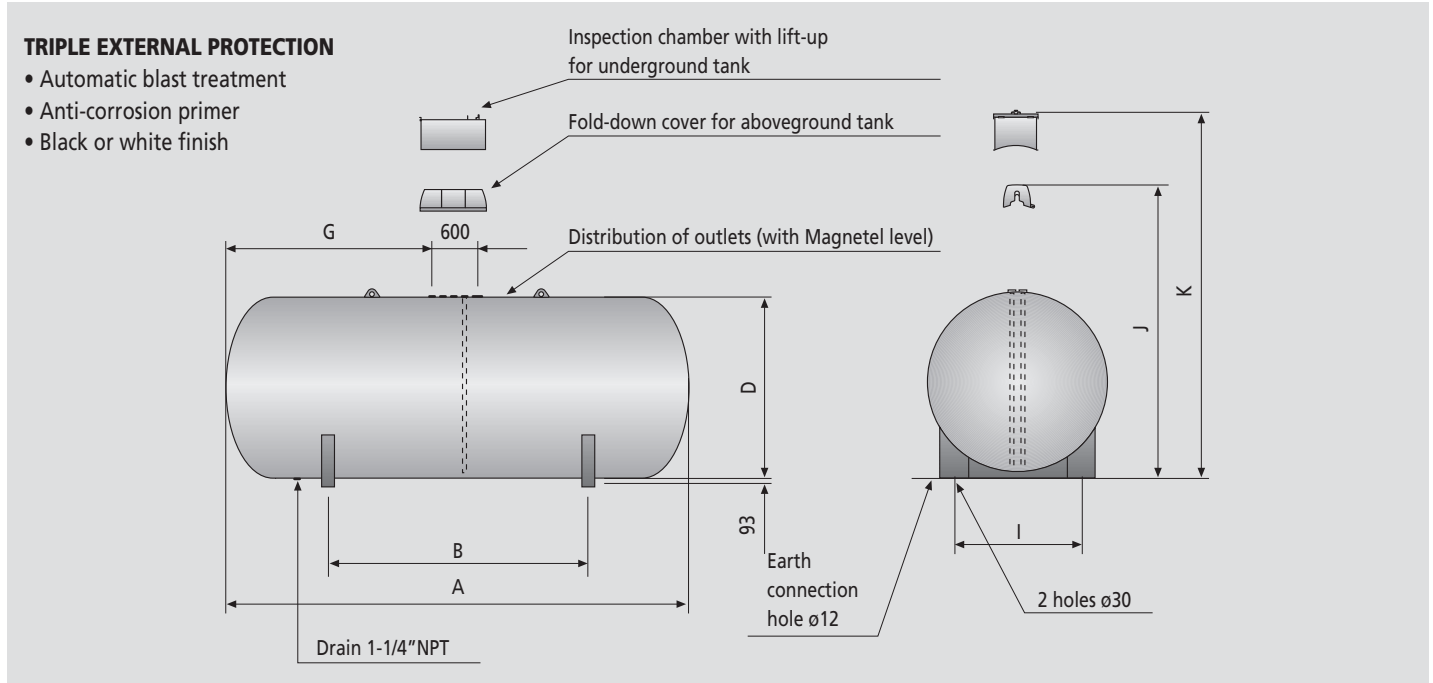


Table of characteristics

Lapesa Model (Ref.)	Rated Capacity (litres)	Propane Surface (Kg.)	Total surface area (m ²)	Approximate unloaded weight (Kg.)	Minimum safety valve discharge (m ³ /min. air)		DIMENSIONS IN MILLIMETRES						
					Aboveground	Underground	A	B	D	G	I	J	K
LP 6500*-22	6.500	2.730	17,6	1.960	111,9	78,3	2.140	600	2.200	768	1.560	2.555	2.696
LP 8150*-22	8.150	3.423	20,7	2.290	127,8	89,5	2.580	1.000	2.200	988	1.560	2.555	2.696
LP 9800*-22	9.800	4.116	23,8	2.610	143,3	100,3	3.030	1.300	2.200	1.213	1.560	2.555	2.696
LP 13*-22	13.100	5.502	29,9	3.280	172,8	121,0	3.920	2.000	2.200	1.658	1.560	2.555	2.696
LP 16*-22	16.400	6.888	36,1	3.930	201,7	141,2	4.810	2.500	2.200	2.103	1.560	2.555	2.696
LP 18*-22	18.050	7.581	39,1	4.260	215,4	150,7	5.250	3.000	2.200	2.323	1.560	2.555	2.696
LP 20*-22	19.700	8.274	42,2	4.590	229,3	160,5	5.700	3.200	2.200	2.548	1.560	2.555	2.696
LP 8950*-24	8.950	3.759	21,8	2.730	133,4	93,4	2.380	700	2.450	887	1.740	2.807	2.949
LP 11*-24	11.200	4.704	25,6	3.170	152,2	106,5	2.870	1.200	2.450	1.137	1.740	2.807	2.949
LP 14*-24	13.500	5.670	29,4	3.610	170,5	119,3	3.370	1.600	2.450	1.382	1.740	2.807	2.949
LP 18*-24	18.050	7.581	37,1	4.870	206,3	144,4	4.360	2.000	2.450	1.877	1.740	2.807	2.949

* = A , for aboveground tanks.
* = E , for underground tanks.