

# STATIC TANKS FOR L.P.G.

**LARGER THAN 20 m<sup>3</sup>**

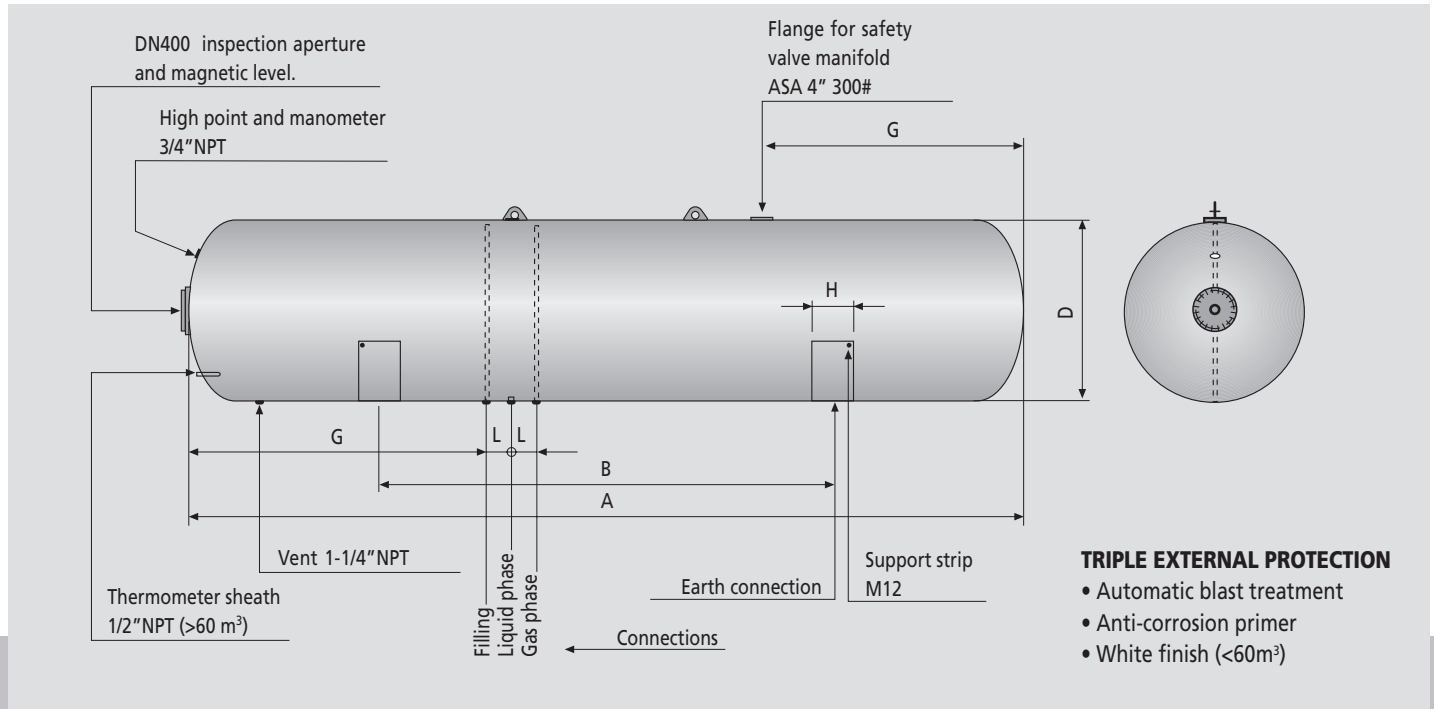


These models have a different design, depending on whether they are for aboveground or underground installation.

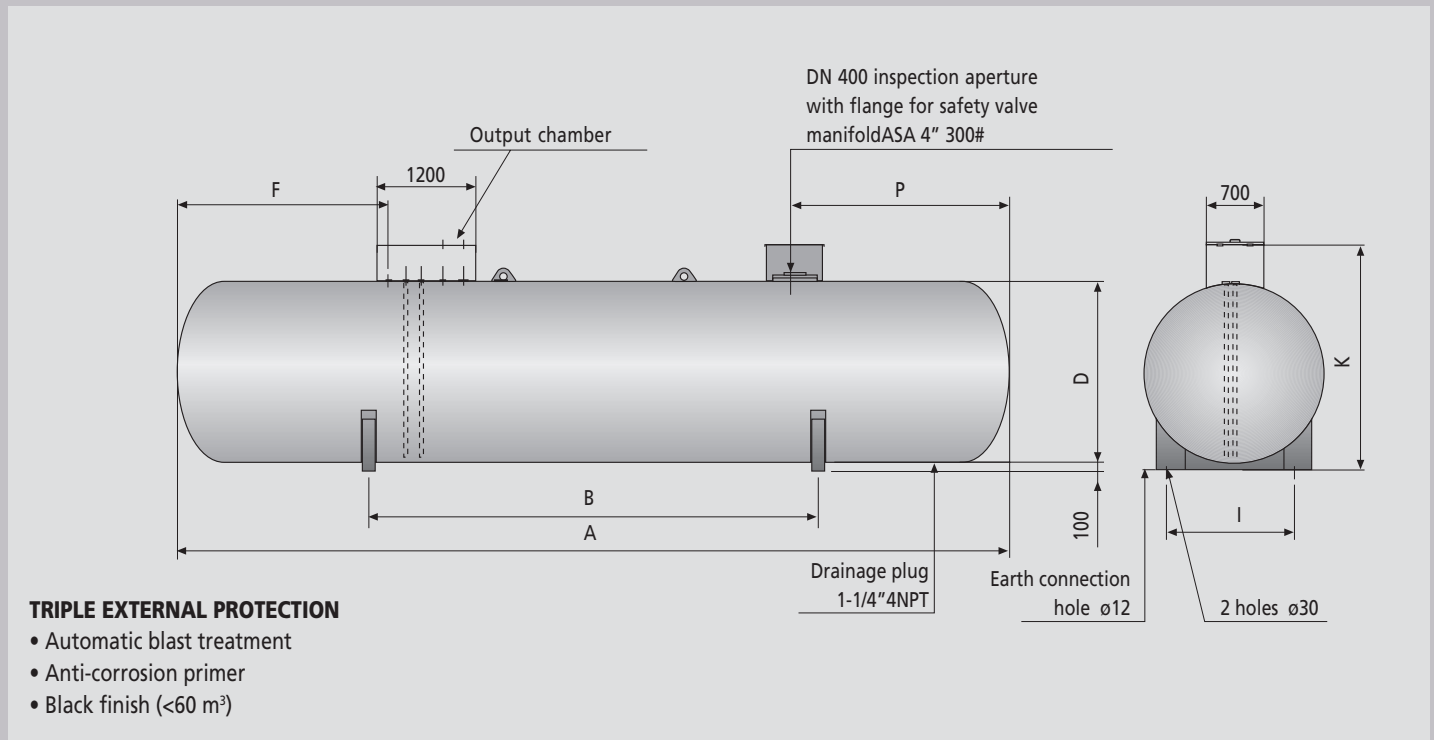
The aboveground models have support strips and can be placed directly on a concrete cradle.

The underground models have two inspection chambers; one for the valve unit and another for the safety valve manifold and the inspection aperture. Both inspection chambers are supplied dismounted.

## Aboveground tanks: 2,200 mm and 2,450 mm diameter



## Underground tanks: 2,200 mm and 2,450 mm diameter



# STATIC TANKS FOR L.P.G.

## 2,200 mm and 2,450 mm DIAMETERS



### Table of characteristics for 2,200 mm diameter

Lapesa Model (Ref.)	Rated Capacity (litres)	Propane Stored (Kg.)	Total surface area (m <sup>2</sup> )	Approximate unloaded weight (Kg.) (1)	Minimum safety valve discharge (m <sup>3</sup> /min. air)		DIMENSIONS EN MILLIMETRES									
					Aboveground	Underground	A	B	D	F	G	H	I	K	L	P
					LP 23*-22	23.000	9.660	48,4	5.370	256,5	179,6	6.590	2.300	2.200	1.073	2.843
LP 26*-22	26.300	11.046	54,5	6.030	282,8	197,9	7.480	4.300	2.200	1.473	2.873	500	1.560	2.776	300	1.923
LP 28*-22	28.000	11.760	57,6	6.350	295,9	207,1	7.930	4.300	2.200	1.723	2.373	500	1.560	2.776	300	2.173
LP 30*-22	29.650	12.453	60,7	6.680	308,9	216,2	8.370	4.800	2.200	1.623	2.333	500	1.560	2.776	300	2.073
LP 33*-22	32.900	13.818	66,8	7.340	334,1	233,9	9.260	5.500	2.200	2.173	2.843	500	1.560	2.776	300	2.623
LP 36*-22	36.200	15.204	73,0	7.990	359,3	251,5	10.160	5.500	2.200	2.173	3.623	500	1.560	2.776	300	2.623
LP 38*-22	37.900	15.918	76,0	8.320	371,4	260,0	10.600	6.000	2.200	2.173	3.623	500	1.560	2.776	300	2.623
LP 40*-22	39.600	16.632	79,1	8.690	383,8	268,6	11.050	6.700	2.200	2.173	3.723	500	1.560	2.776	300	2.623
LP 43*-22	42.900	18.018	85,3	9.300	408,3	285,8	11.940	6.700	2.200	3.673	3.723	500	1.560	2.776	300	4.123
LP 46*-22	46.200	19.404	91,4	9.960	432,1	302,4	12.830	7.100	2.200	4.173	3.723	500	1.560	2.776	300	4.623
LP 48*-22	47.800	20.076	94,5	10.290	444,0	310,8	13.270	8.600	2.200	4.173	4.123	500	1.560	2.776	300	4.623
LP 50*-22	49.500	20.790	97,6	10.610	455,9	319,2	13.720	8.600	2.200	4.173	4.723	500	1.560	2.776	300	4.623
LP 53*-22	52.800	22.176	103,7	11.320	479,2	335,4	14.610	8.900	2.200	4.873	4.123	500	1.560	2.776	500	5.323
LP 56*-22	56.100	23.562	109,9	11.980	502,6	351,8	15.500	9.700	2.200	4.873	3.623	500	1.560	2.776	500	5.323
LP 58*-22	57.700	24.234	113,0	12.310	514,1	359,9	15.950	10.200	2.200	4.873	4.123	500	1.560	2.776	500	5.323
LP 59*-22	59.400	24.948	116,0	12.630	525,3	367,7	16.390	10.600	2.200	4.873	4.623	500	1.560	2.776	500	5.323
LP 63A-22	62.700	26.334	122,2	13.290	548,2	383,8	17.280	10.000	2.200		6.423	500				500
LP 66A-22	66.000	27.720	128,3	13.950	570,6	399,4	18.170	10.000	2.200		6.623	500				500
LP 68A-22	67.700	28.434	131,4	14.280	581,8	407,3	18.620	10.000	2.200		6.623	500				500
LP 69A-22	69.300	29.106	134,5	14.600	593,1	415,2	19.060	10.000	2.200		6.623	500				500
LP 73A-22	72.600	30.492	140,6	15.260	615,0	430,5	19.960	11.000	2.200		7.123	500				500
LP 76A-22	75.900	31.878	146,8	15.910	637,2	446,0	20.490	11.000	2.200		7.623	500				500
LP 78A-22	77.600	32.592	149,9	16.240	648,2	453,8	21.290	12.000	2.200		8.123	500				500
LP 79A-22	79.200	33.264	152,9	16.570	658,8	461,2	21.740	12.000	2.200		8.123	500				500

### Table of characteristics for 2,450 mm diameter

Lapesa Model (Ref.)	Rated Capacity (litres)	Propane Stored (Kg.)	Total surface area (m <sup>2</sup> )	Approximate unloaded weight (Kg.) (1)	Minimum safety valve discharge (m <sup>3</sup> /min. air)		DIMENSIONS EN MILLIMETRES									
					Aboveground	Underground	A	B	D	F	G	H	I	K	L	P
					LP 23*-24	22.600	9.492	44,7	5.490	240,3	168,2	5.350	3.180	2.450	862	2.142
LP 25*-24	24.900	10.458	48,5	5.930	257,0	179,9	5.840	2.450	2.450	882	2.342	600	1.740	3.032	300	1.332
LP 27*-24	27.200	11.424	52,3	6.360	273,4	191,4	6.340	2.450	2.450	1.092	2.542	600	1.740	3.032	300	1.542
LP 32*-24	31.800	13.356	59,9	7.240	305,5	213,9	7.330	3.700	2.450	1.592	2.542	600	1.740	3.032	300	2.042
LP 36*-24	36.300	15.246	67,5	8.110	337,0	235,9	8.320	3.700	2.450	2.092	2.907	600	1.740	3.032	300	2.542
LP 39*-24	38.600	16.212	71,3	8.550	352,4	246,7	8.820	5.000	2.450	2.342	2.512	600	1.740	3.032	300	2.792
LP 41*-24	40.900	17.178	75,1	8.990	367,8	257,4	9.310	5.000	2.450	2.592	2.752	600	1.740	3.032	300	3.042
LP 46*-24	45.500	19.110	82,8	9.860	398,4	278,9	10.300	6.700	2.450	2.592	2.397	600	1.740	3.032	300	3.042
LP 50*-24	50.000	21.000	90,4	10.730	428,2	299,7	11.290	6.700	2.450	2.592	3.292	600	1.740	3.032	300	3.042
LP 52*-24	52.300	21.966	94,2	11.210	442,9	310,0	11.790	6.700	2.450	3.842	4.192	600	1.740	3.032	500	4.292
LP 55*-24	54.600	22.932	98,0	11.670	457,5	320,2	12.290	6.700	2.450	4.042	4.492	600	1.740	3.032	500	4.492
LP 59*-24	59.200	24.864	105,6	12.540	486,4	340,5	13.280	6.700	2.450	4.542	4.492	600	1.740	3.032	500	4.992
LP 64A-24	63.700	26.754	113,2	13.420	514,9	360,4	14.270	7.800	2.450		4.692	600				500
LP 66A-24	66.000	27.720	117,1	13.850	529,4	370,6	14.760	8.900	2.450		4.692	600				500
LP 68A-24	68.300	28.686	120,9	14.290	543,4	380,4	15.260	9.200	2.450		4.692	600				500
LP 73A-24	72.800	30.576	128,5	15.160	571,3	399,9	16.250	9.800	2.450		4.692	600				500
LP 77A-24	77.400	32.508	136,1	16.040	598,9	419,2	17.240	10.700	2.450		5.692	600				500
LP 80A-24	79.700	33.474	139,9	16.480	612,5	428,8	17.740	11.500	2.450		6.192	600				500
LP 82A-24	82.000	34.440	143,7	16.910	626,1	438,3	18.230	12.000	2.450		7.192	600				500
LP 87A-24	86.500	36.330	151,4	17.790	653,5	457,5	19.220	11.000	2.450		7.692	600				500
LP 91A-24	91.100	38.262	159,0	18.660	680,3	476,2	20.210	12.000	2.450		7.692	600				500
LP 93A-24	93.400	39.228	162,8	19.100	693,6	485,5	20.710	12.500	2.450		7.692	600				500
LP 96A-24	95.700	40.194	166,6	19.540	706,9	494,8	21.200	12.500	2.450		7.692	600				500
LP 100A-24	100.200	42.084	174,2	20.410	733,2	513,2	22.200	13.300	2.450		7.692	600				500
LP 105A-24	104.800	44.016	181,8	21.310	759,3	531,5	23.190	13.900	2.450		7.692	600				500
LP 107A-24	107.100	44.982	185,6	21.750	772,3	540,6	23.680	14.200	2.450		7.692	600				500
LP 110A-24	109.400	45.948	189,4	22.190	785,3	549,7	24.180	14.500	2.450		7.692	600				500
LP 114A-24	113.900	47.838	197,1	23.060	811,3	567,9	25.170	15.000	2.450		7.692	600				500

\* = A , for aboveground tanks.  
\* = E , for underground tanks.

(1) Weights for the aboveground models.