

ATMOSPHERIC TANKS

LEVEL CONTROL and LEAK DETECTION unit

lapesa

FUGALARM leak detector

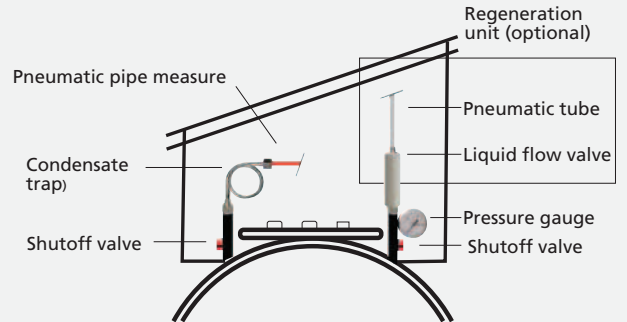


Models

- Fugalarm-V, Vacuum model
- Fugalarm-P, Pressure model

System features

- Complies with EN 13160 and has EC certification.
- Bleepers and lights to indicate system state.
- Large-format display screen showing degree of pressure or vacuum in the interstitial chamber, in absolute values.
- Test and stop buttons for alarms as well as for accessing menu options.
- Switched relays for remote alarm signalling.
- Zener barrier incorporated
- Size: 110 x 215 x 40



OPTION: pressure or vacuum maintenance unit can be supplied.

Level control. Model NV2000

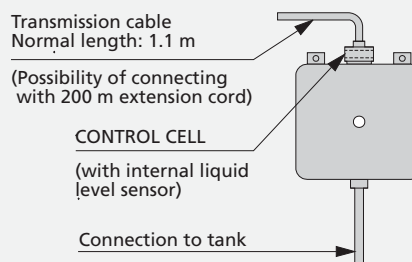
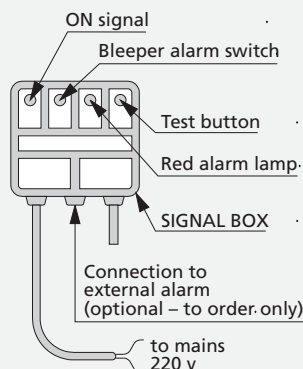
System features

- Electro-pneumatic level control system that enables 10 tanks to be measured by just one unit.
- Relative density of contained product must be less than 1.1.
- Units for denser products can be supplied to order.
- Electricity-free probes, with 1" GAS connection, 2500 mm long and made of brass and copper. Optional in stainless steel or plastic and lengths of up to 3,000 mm.
- Equipped with a control panel and display screen, keyboard for data input and relay to activate external alarms. It can be connected to LAN networks by TCP/IP protocol.

Model	Nº of tank
NV1001	1
NV1002	2
NV1003	3
NV1004	4
NV2005	5
NV2006	6
NV2007	7
NV2008	8
NV2009	9
NV2010	10



BASIC LEAK DETECTION SYSTEM BY LIQUID LEVEL



OPTION: Tank chamber filled with antifreeze liquid (up to -20°C)
* This equipment should only be fitted in DOUBLE-WALL STEEL tanks.